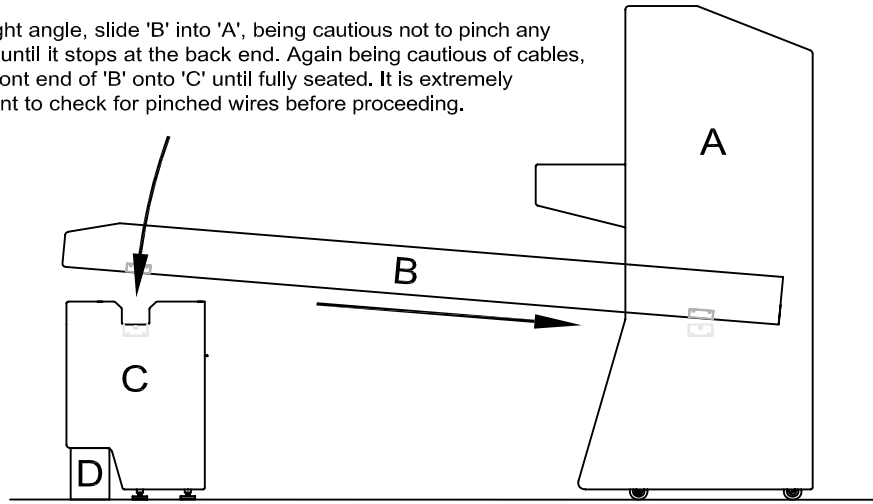


4

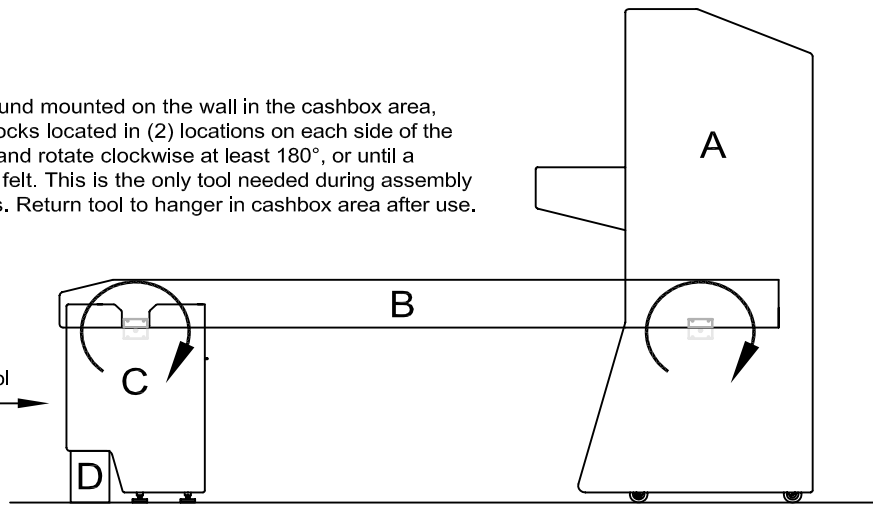
At a slight angle, slide 'B' into 'A', being cautious not to pinch any cables, until it stops at the back end. Again being cautious of cables, lower front end of 'B' onto 'C' until fully seated. It is extremely important to check for pinched wires before proceeding.



5

Using the Hex Tool found mounted on the wall in the cashbox area, insert tool into Roto Locks located in (2) locations on each side of the assembly (total of 4), and rotate clockwise at least 180°, or until a positive resistance is felt. This is the only tool needed during assembly of the cabinet sections. Return tool to hanger in cashbox area after use.

Roto Lock (5/16") Hex Tool
97-1004-00
(mounted on the wall
in cashbox area)



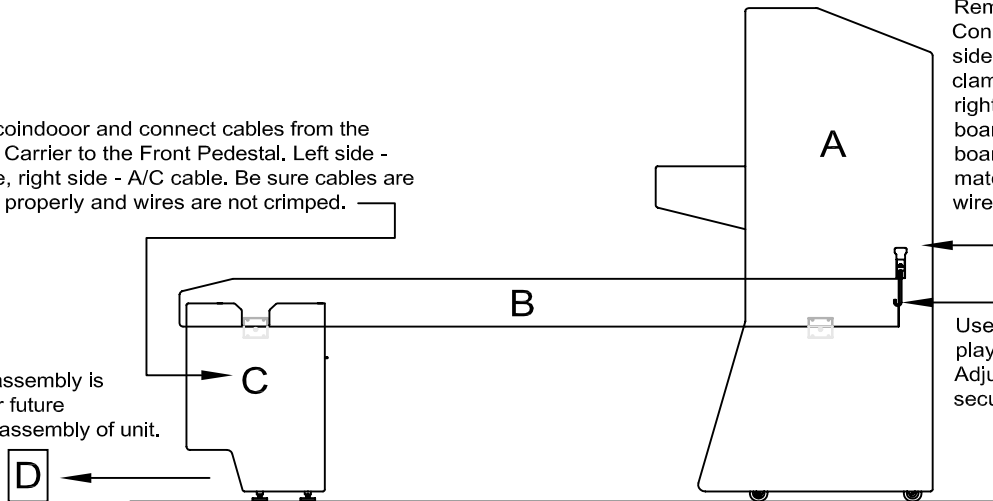
6

Open the coindoor and connect cables from the Playboard Carrier to the Front Pedestal. Left side - main cable, right side - A/C cable. Be sure cables are connected properly and wires are not crimped.

Remove both access doors. Connect cables and dress down sides of cabinet in existing clamps. Left side - A/C cable, right side - playboard to I/O board and main cable to I/O board. Be sure wire colors match up at connectors and no wires are crimped.

Remove 'D' after assembly is complete. Save for future dis-assembly and assembly of unit.

Use Clamp to secure playboard at center 1/2" hole. Adjust clamp to ensure a secure fit.



Patrick Bohm